

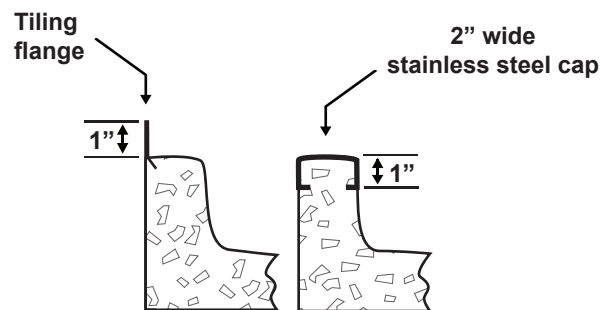
- Mop receptors are precast terrazzo as manufactured by Creative Industries Terrazzo Products, Inc.
- Receptors shall be cast as a one piece unit with wire mesh reinforcing if specified.
- Terrazzo shall be genuine black and white marble chips, cast in white Portland cement and shall provide a compressive strength of not less than 5,000 PSI seven days after casting.
- A 3" drain body with a removable stainless steel strainer shall be centered, cast integral and shall provide for a gasket or caulked lead connection, not less than 1" deep to a 3" pipe.
- Shoulders shall not be less than 6" high outside, and shoulder width shall not be less than 2" on all sides.
- Terrazzo surfaces shall be ground and polished with all air holes and/or pits grouted and sealed.
- **Alternate colors, custom sizes and drain locations are available on all models for an additional cost.**

Installation:

- Establish 1/4" clearance between shower floor and building wall. It is required that the entire area between the shower floor and the building floor has a 1/2" layer of mortar to ensure the shower floor is level.

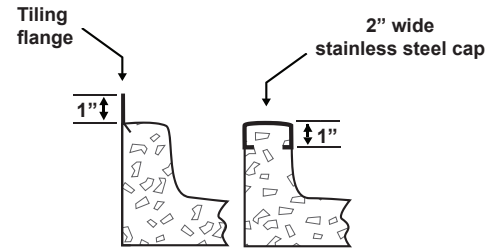
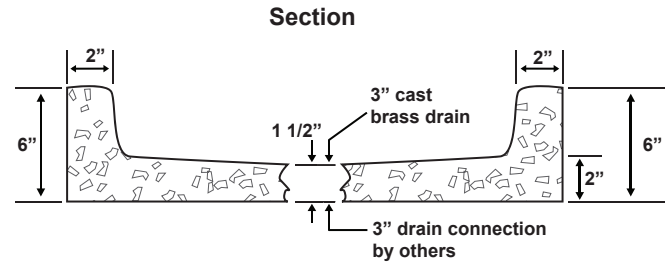
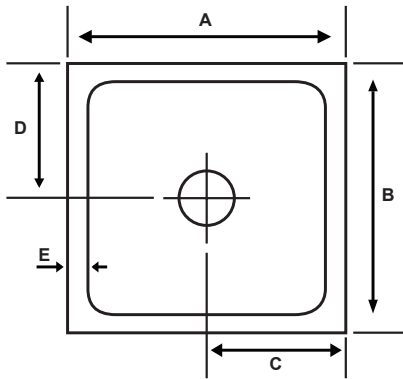
Finishing Options

- Integral galvanized tiling flanges not to extend less than 1" above shoulder.
- 2" stainless steel edge cap to be cast integral on exposed sides, as specified.
- Gasket drain
- Vandal proof drain.
- Wall Guards.

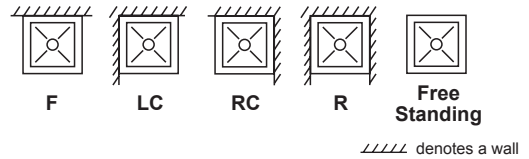


Note: Dimensions may vary $\pm 1/2"$ due to the nature of material and manufacturing process and are subject to change or cancellation without prior notice.

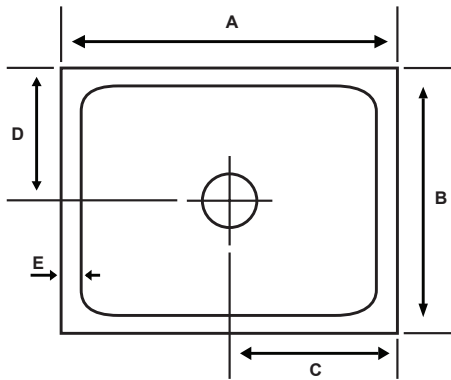
Note: Drawings not to scale.



Perspective



Genoa 600: Square						
Model	Size	A	B	C	D	E
MC2424-6	24"x24"x6"	24"	24"	12"	12"	2"
MC3030-6	30"x30"x6"	30"	30"	15"	15"	2"
MC3232-6	32"x32"x6"	32"	32"	16"	16"	2"
MC3636-6	36"x36"x6"	36"	36"	18"	18"	2"

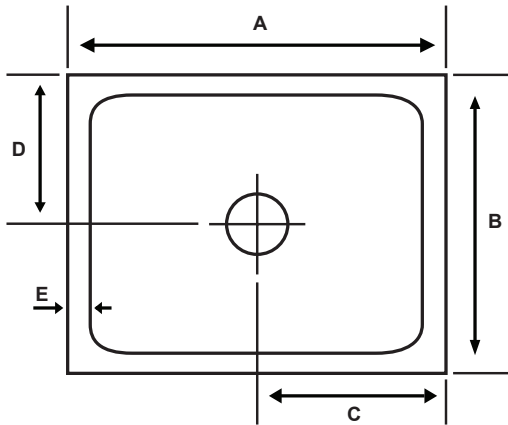


Genoa 600: Rectangle						
Model	Size	A	B	C	D	E
MC2418-6	24"x18"x6"	24"	18"	12"	9"	2"
MC3624-6	36"x24"x6"	36"	24"	18"	12"	2"

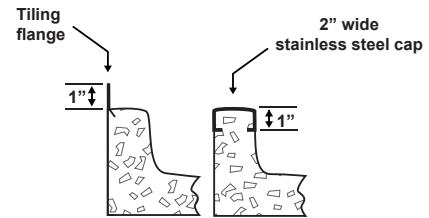
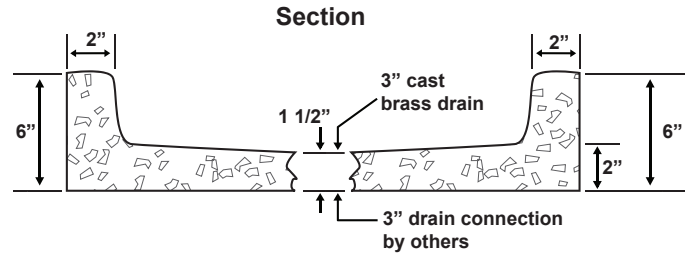
Finishing Options	
Tiling Flange	Stainless Steel Caps
1 F (1 Flange)	1 SS (1 Cap)
2 F (2 Flanges)	2 SS (2 Caps)
3 F (3 Flanges)	3 SS (3 Caps)
	4 SS (4 Caps)

Note: Dimensions may vary $\pm 1/2"$ due to the nature of material and manufacturing process and are subject to change or cancellation without prior notice.

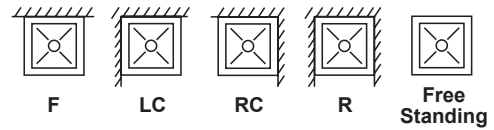
Note: Drawings not to scale.



Qty	Size	A	B	C	D	E



Perspective



//// denotes a wall

Drain (select one): Lead Caulk Gasket
 Curb Options: Plain Caps (specify qty)
 Cont.SS Caps Flanges (specify qty)
 Color (other than Black and White): _____
 Notes: _____

Important: This is an approval drawing, all dimensions are to be verified and an approved copy of this print is to be returned to Creative Industries Terrazzo Products before production can proceed. Orders shall be **non-changeable** and **non-cancelable** once drawing is signed for approval and submitted. Signing this approval form bounds customer to quantity and specifications noted on this form.

Note: Dimensions may vary $\pm 1/2"$ due to the nature of material and manufacturing process and are subject to change or cancellation without prior notice.

Note: Drawings not to scale.

Approval Form

Model No.: _____
 Job: _____
 Address: _____
 Order No.: _____
 Approved by: _____ Date: ____/____/____